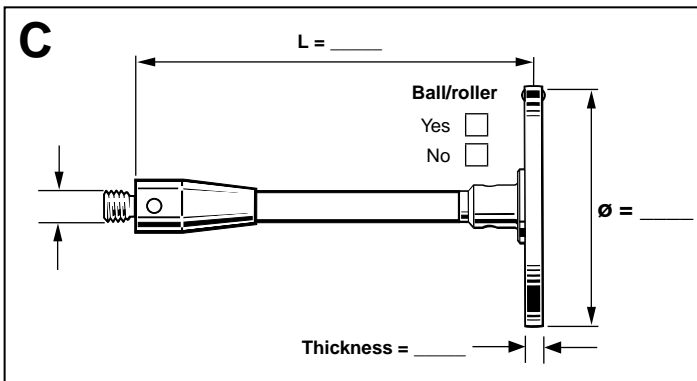
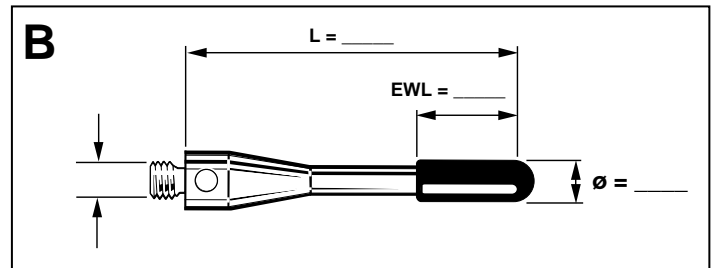
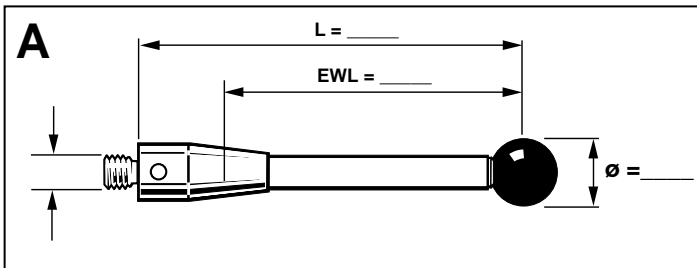


Custom stylus request form

Please complete the form below with your custom stylus requirements and send it back to us. Our design team will carry out a feasibility study and present you with a solution for your application problem.



Sketch/additional information:

Type: A B C
 Other (please add sketch and information)

Thread: M2 M3 M4 M5 _____ Quantity:

Tip material: Ruby Silicon nitride Zirconia Stainless steel Tungsten carbide

Stem material: Tungsten carbide Ceramic Carbon fibre Stainless steel

Probe type: _____

Orientation: Vertical Horizontal

Application: Scanning Inspection

Material being measured: _____

Contact name: _____

Company: _____

Contact email: _____

Contact telephone: _____